

## 36 SERIES

- PRESSFIT NEON, LED & INCANDESCENT INDICATOR LIGHTS
- 5/16" DIA. MOUNTING HOLE • WHITE NYLON HOUSING
- FLUSH & HI-HAT LENSES • OPTIONAL ALUMINUM BEZEL • 6" WIRE LEADS
- SPEED NUT PROVIDED • 2 TO 250 DESIGN VOLTS • VARIOUS LENS COLORS
- UL AND CSA LISTED • UL FILE E20356 • CSA FILE LR15284-6

### Overview

The 36 Series indicator lights feature a wide variety of lens colors, voltage options and bezel variations. Indicators are designed to front mount into a 5/16" (7.93mm) mounting hole with a recommended panel thickness of 0.020" minimum. A speed nut, part number **8700091688**, is supplied.

### Specifications

**Housing:** white nylon. A black housing is available.

**Lens:** polycarbonate.

**Bezel:** aluminum. A black anodized bezel is available.

**Incandescent AC or DC voltage options:** 6, 14 and 28 volts.

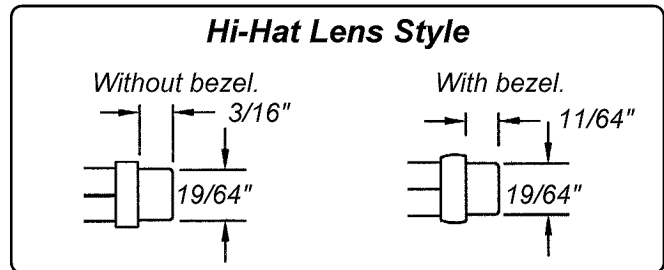
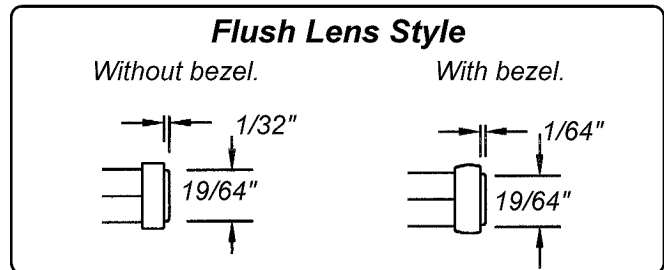
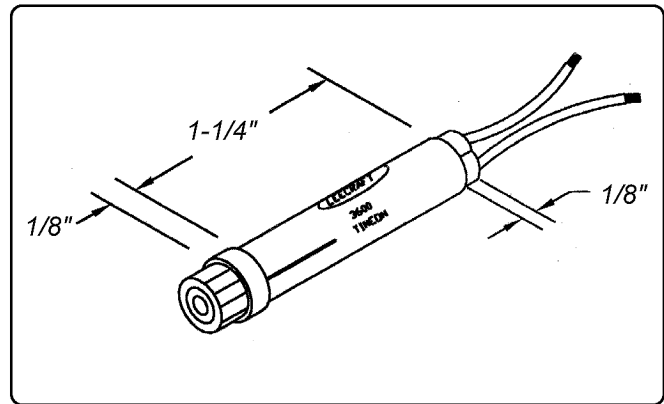
**Neon AC or DC voltage options:** 125 and 250 volts.  
**Note:** high brightness green and blue neon lamps supplied in green and blue neon applications.

**LED DC voltage options:** 2, 6, 12, 24 volts.

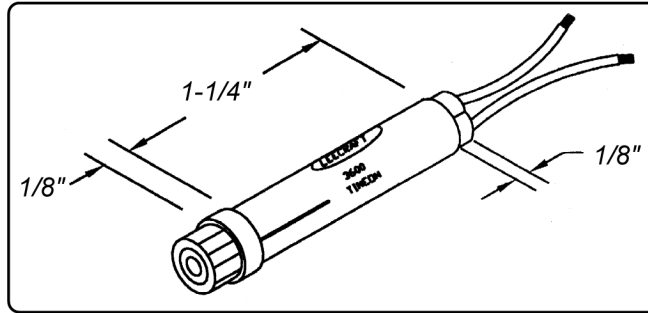
**LED AC voltage options:** 125 volts.

**Note:** 125 volts AC units contain a bi-polar LED.

**Two 6" wire leads:** #20 AWG, black, bare copper, PVC insulated, UL/CSA rated 105°C, 600 V, UL style 1015, stripped 1/2". For DC LED units, wire leads are color-coded red and black; the red wire lead denotes the anode (+) while a black wire lead identifies the cathode (-). For AC LED units, wire leads are white. Custom wire lengths, stripping, termination and wire types are available.



**L36 Series  
LED Indicator Lights  
Optional  
Aluminum Bezel  
2 to 125 Design Volts  
Speed Nut**



**6" Wire Leads  
Hi-Hat Lens or  
Flush Lens  
White Housing  
Variety of  
Lens Colors**

Part Number With Hi-Hat Lens Without Bezel	Part Number With Hi-Hat Lens & Aluminum Bezel	Part Number With Flush Lens Without Bezel	Part Number With Flush Lens & Aluminum Bezel	Lens Color	DC Design Volts * AC Design Volts
L36N-A2-2113	L36EN-A2-2113	L36N-A2-2313	L36EN-A2-2313	Amber	2
L36N-A6-2113	L36EN-A6-2113	L36N-A6-2313	L36EN-A6-2313	Amber	6
L36N-A12-2113	L36EN-A12-2113	L36N-A12-2313	L36EN-A12-2313	Amber	12
L36N-A24-2113	L36EN-A24-2113	L36N-A24-2313	L36EN-A24-2313	Amber	24
L36N-A125-2113	L36EN-A125-2113	L36N-A125-2313	L36EN-A125-2313	Amber	125 *
L36N-G2-2112	L36EN-G2-2112	L36N-G2-2312	L36EN-G2-2312	Green	2
L36N-G6-2112	L36EN-G6-2112	L36N-G6-2312	L36EN-G6-2312	Green	6
L36N-G12-2112	L36EN-G12-2112	L36N-G12-2312	L36EN-G12-2312	Green	12
L36N-G24-2112	L36EN-G24-2112	L36N-G24-2312	L36EN-G24-2312	Green	24
L36N-G125-2112	L36EN-G125-2112	L36N-G125-2312	L36EN-G125-2312	Green	125 *
L36N-R2-2111	L36EN-R2-2111	L36N-R2-2311	L36EN-R2-2311	Red	2
L36N-R6-2111	L36EN-R6-2111	L36N-R6-2311	L36EN-R6-2311	Red	6
L36N-R12-2111	L36EN-R12-2111	L36N-R12-2311	L36EN-R12-2311	Red	12
L36N-R24-2111	L36EN-R24-2111	L36N-R24-2311	L36EN-R24-2311	Red	24
L36N-R125-2111	L36EN-R125-2111	L36N-R125-2311	L36EN-R125-2311	Red	125 *
L36N-Y2-2116	L36EN-Y2-2116	L36N-Y2-2316	L36EN-Y2-2316	Yellow	2
L36N-Y6-2116	L36EN-Y6-2116	L36N-Y6-2316	L36EN-Y6-2316	Yellow	6
L36N-Y12-2116	L36EN-Y12-2116	L36N-Y12-2316	L36EN-Y12-2316	Yellow	12
L36N-Y24-2116	L36EN-Y24-2116	L36N-Y24-2316	L36EN-Y24-2316	Yellow	24
L36N-Y125-2116	L36EN-Y125-2116	L36N-Y125-2316	L36EN-Y125-2316	Yellow	125 *

**Polarity Determination - Wire Leads:** Red wire lead denotes anode (+); black wire lead denotes cathode (-).

